

# NX3224T024

From ITEAD Wiki

## Contents

- 1 Overview
- 2 Nextion Models
- 3 Specification
- 4 Electronic Characteristics
- 5 Working Environment & Reliability Parameter
- 6 Interfaces Performance
- 7 Memory Features
- 8 Product Dimension

## Overview

Nextion is a Seamless Human Machine Interface (HMI) solution that provides a control and visualisation interface between a human and a process, machine, application or appliance. Nextion is mainly applied to IoT or consumer electronics field. It is the best solution to replace the traditional LCD and LED Nixie tube. With the software - Nextion Editor (Official Download (<http://nextion.itead.cc/download.html>)), users are able to create and design their own interfaces for Nextion display.

Go shopping NX3224T024 (im150416002) (<http://imall.itead.cc/nextion-nx3224t024.html>)

Package include: a Nextion 2.4" display, a wire, a power supply test board

**Note:** there's a small power supply test board and a wire inside the package for you to test if the electricity supply is enough or not. Please see below image on how to use it.



## Caution:

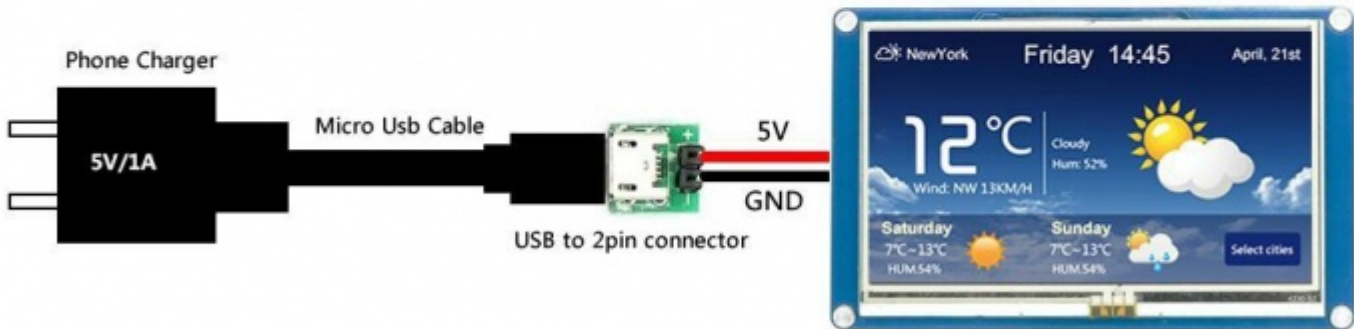
Working under insufficient power supply condition will damage the Nextion model easily.



Blurred screen? Flashing? You may be suffering from power shortages. Power off at the first possible moment. No more repeated attempts to damage your Nextion model.

A small connector is included in the package. Please try to power Nextion with your phone charger through the connector to check if Nextion works well.

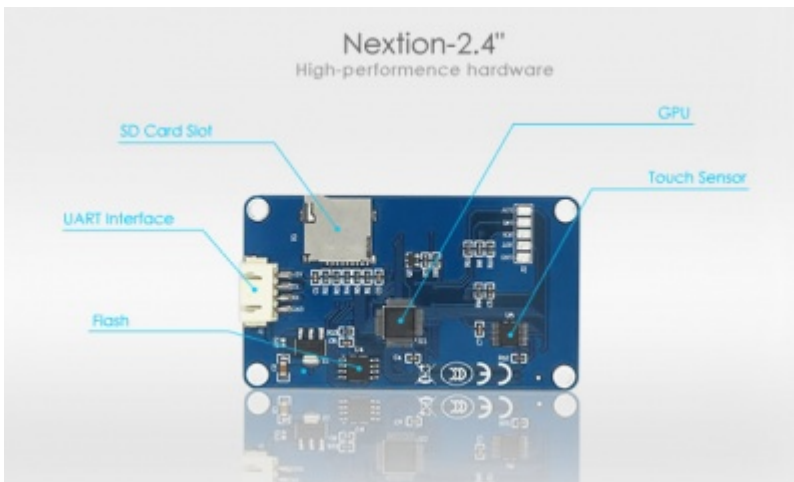
A high quality usb cable is required.



Nextion User Manual: <http://goo.gl/LbvAJ5>

## Nextion Models

Nextion Type	Basic
Nextion Models	NX3224T024_011N (N: No touch)
	NX3224T024_011R (R: Resistive touchscreen)



## Specification

	Data	Description
Color	65K (65536) colors	16 bit, 5R6G5B
Layout size	74.4 (L)×42.9 (W)×4.6 (H)	NX3224T024_011N
	74.4 (L)×42.9 (W)×5.8 (H)	NX3224T024_011R
Active Area (A.A.)	60.26mm(L)×42.72mm(W)	-
Visual Area (V.A.)	48.96mm(L)×36.72mm(W)	-
Resolution	320×240 pixel	Also can be set as 240×320
Touch type	Resistive	-
Touches	> 1 million	-
Backlight	LED	-
Backlight lifetime (Average)	>30,000 Hours	-
Brightness	200nit (NX3224T024_011N)	0% to 100%, the interval of adjustment is 1%
	180 nit (NX3224T024_011R)	0% to 100%, the interval of adjustment is 1%
Weight	20g (NX3224T024_011N)	-
	25.8g (NX3224T024_011R)	-

## Electronic Characteristics

	Test Conditions	Min	Typical	Max	Unit
Operating Voltage		4.75	5	7	V
Operating Current	VCC=+5V, Brightness is 100%	-	90	-	mA
	SLEEP Mode	-	15	-	mA
Power supply recommend: 5V, 500mA, DC					

## Working Environment & Reliability Parameter

	Test Conditions	Min	Typical	Max	Unit
Working Temperature	5V, Humidity 60%	-20	25	70	°C
Storage Temperature	-	-30	25	85	°C
Working Humidity	25°C	10%	60%	90%	RH

## Interfaces Performance

	<b>Test Conditions</b>	<b>Min</b>	<b>Typical</b>	<b>Max</b>	<b>Unit</b>
Serial Port Baudrate	Standard	2400	9600	115200	bps
Output High Voltage	IOH=-1mA	3.0	3.2	-	V
Output low Voltage	IOL=1mA	-	0.1	0.2	V
Input High Voltage	-	2.0	3.3	5.0	V
Input low Voltage	-	-0.7	0.0	1.3	V
Serial Port Mode	TTL				
Serial Port	4Pin_2.54mm				
USB interface	NO				
SD card socket	Yes (FAT32 format), support maximum 32G Micro SD Card				

## Memory Features

<b>Memory Type</b>	<b>Test Conditions</b>	<b>Min</b>	<b>Typical</b>	<b>Max</b>	<b>Unit</b>
FLASH Memory	Store fonts and images	-	-	4	MB
RAM Memory	Store variables	-	3584	-	BYTE

## Product Dimension

### 2.4 Nextion Dimension

Retrieved from '<https://www.itead.cc/wiki/index.php?title=NX3224T024&oldid=5777>'

- This page was last modified on 3 March 2017, at 10:24.
- This page has been accessed 51,584 times.