

1803BK DC Motor Speed Controller (PWM)

1803BK DC Motor Speed Controller allows controlling the direction of a DC motor using a Pulse-Width-Modulated (PWM) DC voltage with a Duty Cycle fully adjustable from 0%-100%.

The motor speed controller is with a self-recovery fuse 2A and a Power-On LED light. It can easily provide a continuous current of 2A to your DC motor or other DC load.

Main technical parameters:

- Input supply voltage: 1.8V-15VDC
- The maximum output power: 30W
- The maximum continuous output current :2A
- Duty Cycle adjustable: 0%-100%

Specifications:

- Item size: 32*32*15mm

Operating instruction:

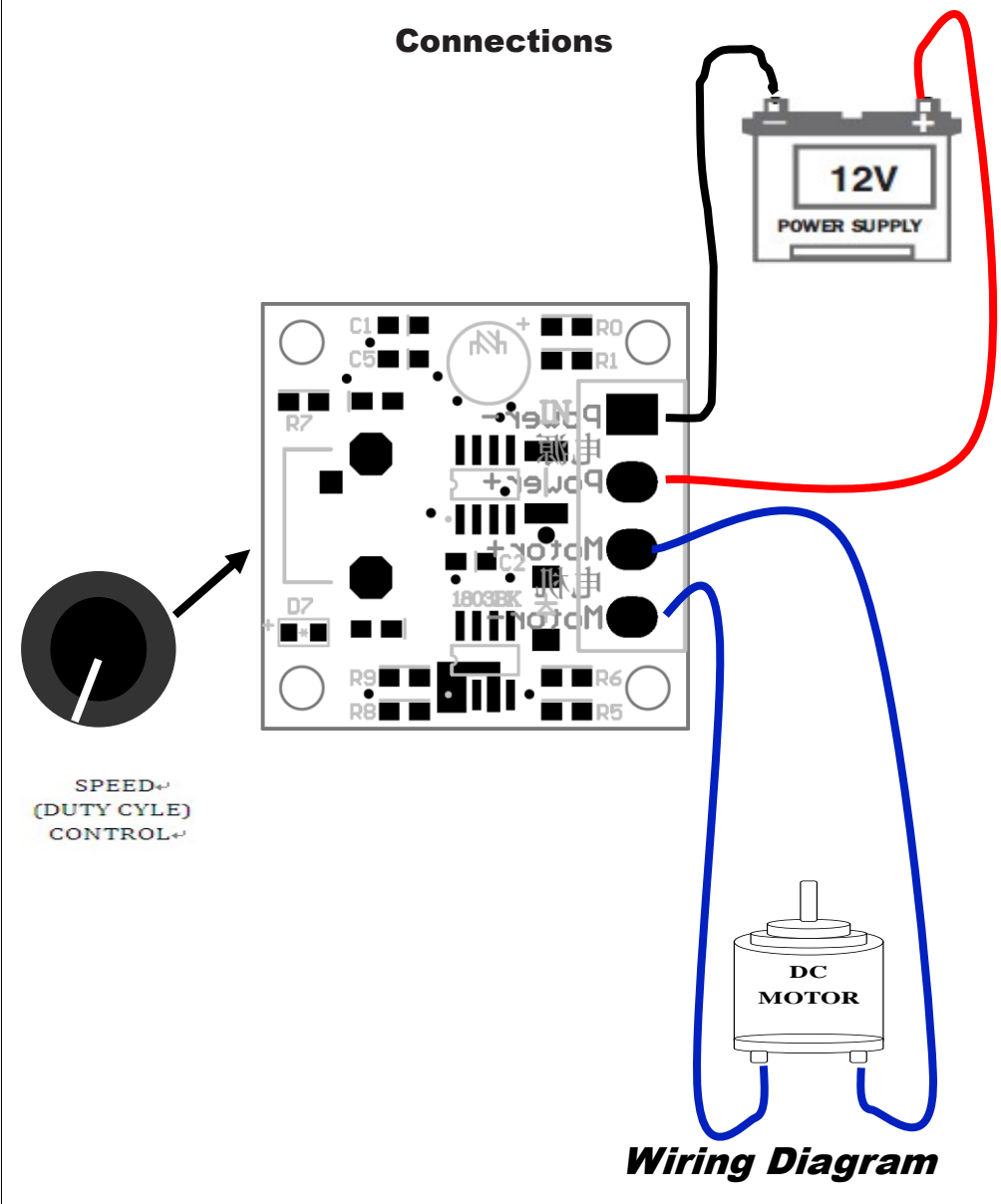
1. Connect your DC motor (or DC load) to the motor terminals as indicated on the *wiring diagram*.
2. Connect a voltage of 1.8V-15V DC to the circuit making sure of the correct polarity of the connection. Note that the voltage applied to the motor will be supply voltage applied to the circuit. It is recommended to add an appropriately rated fuse in line with the positive supply in order to protect the circuit from any possible short circuits.
3. You can now control the speed of the motor through potentiometer.

Important Notes:

An appropriately rated fuse (rated a little higher than the maximum current you expect to draw) is recommended to ensure safe operation.

The controller is safe with a self-recovery fuse 2A. It will be damaged if connect the supply voltage with wrong polarity. Double check all connections before applying power and always turn off the power supply before making any wiring changes.

Connections



HIGH QUALITY DC MOTOR SPEED CONTROLLER

HIGH QUALITY DC MOTOR SPEED CONTROLLER