

Module-Center

Tel: 021-6608302

CELL:09107517388

E-Mail: info@module-center.com

Wechat09107517388

Website: www.module-center.com

Solenoid water valve



动作方式 Action way	先导式 Pilot type
型式 Type	常闭式 NC
工作压力 Working pressure	0.02Mpa-0.8Mpa
进水口连接方式 Input connection way	4分外螺 G1/2" external threads
出水口连接方式 Output connection way	4分外螺或2分内螺 G1/2" external threads or G1/4 Inner threads
使用介质 Applicable medium	水 water
阀体材质 Valve body material	铜阀体 Copper valve body

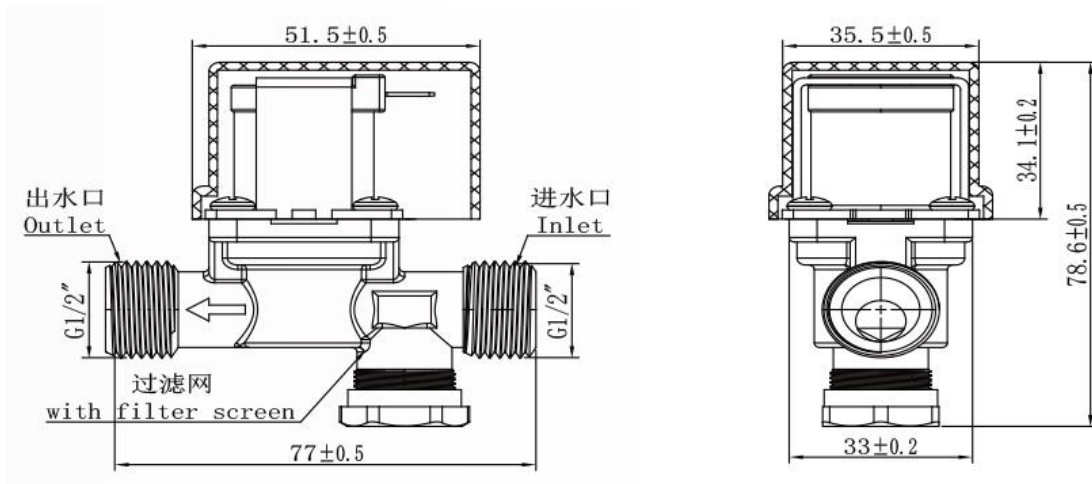
介质温度 Medium temperature	0-100°C
环境温度 Environment temperature	0-50°C
额定电负荷 Electrical rating	AC220V,0.02A/ DC6V,0.6A/ DC9V,0.4A/ DC12V,0.3A/ DC24V,0.15A
额定电负荷变化范围 Variable voltage of supply voltage	-10%~+10%
绝缘电阻 Insulation resistance	DC500V兆欧表历时1min后绝缘电阻应 $\geq 100\text{M}\Omega$ Tested by DC500V megohmmete for 1 min, the insulation resistance should $\geq 100\text{M}\Omega$

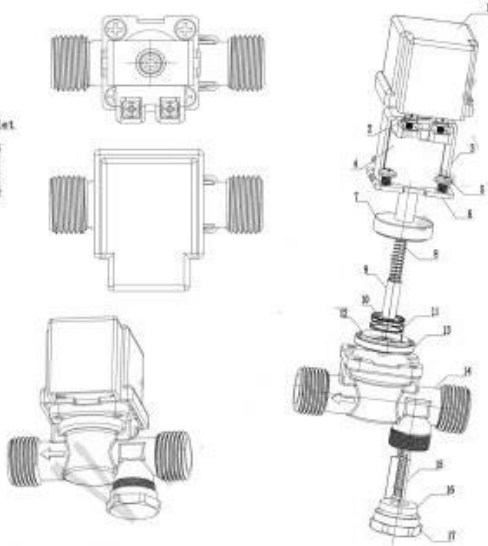
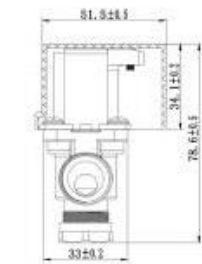
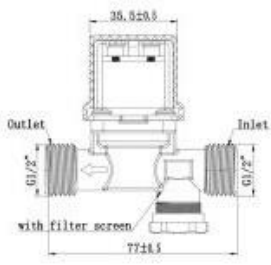
<p>绝缘电阻</p> <p>Insulation resistance</p>	<p>DC500V兆欧表历时1min后绝缘电阻应$\geq 100M\Omega$</p> <p>Tested by DC500V megohmmete for 1 min, the insulation resistance should $\geq 100M\Omega$</p>
<p>水密性能</p> <p>Watertigh performance</p>	<p>静水压0.02Mpa, 泄漏量 $< 0.1\text{ml/min}$ 静水压0.03-0.8Mpa, 泄漏量 0ml/min</p> <p>Hydrostatic pressure 0.02Mpa, leakage ratio $< 0.1\text{mL/min}$, Hydrostatic pressure 0.03-0.8Mpa, leakage ratio 0 mL/min</p>
<p>耐水压</p> <p>Hydraulic pressure withstand</p>	<p>静水压1.2Mpa, 历时5min, 无破裂、变形、外部漏;</p> <p>withstand hydrostatic pressure of 1.2 Mpa for 5min, no unbroken, deformation or outside leakage</p>
<p>可靠性</p> <p>Reliability</p>	<p>0.02-0.8Mpa, 通、断各10S持续1h, 单向止回阀不直通, 无卡死等;</p> <p>0.02-0.8Mpa, make and break for 10s respectively, lasting 1hr, the check valve should be unblocked</p>
<p>流量特性</p> <p>Flow characteristic</p>	<p>压力0.02Mpa, 流量3L/min, 流量; 压力0.1Mpa, 流量8L/min; 压力0.3Mpa, 流量13L/min; 压力0.8Mpa, 流量25L/min</p> <p>Pressure 0.02Mpa, Flux 3L/min, Pressure 0.1Mpa, Flux 8L/min. Pressure 0.3pa, Flux 13L/min. Pressure 0.8Mpa, Flux 25L/min</p>

<p>层间绝缘</p> <p>Across layers insulation</p>	<p>高压脉冲2S后应正常;</p> <p>Withstand high ovtage pulse for 2s, it should be normal</p>
<p>连续通电</p> <p>Continuously energized</p>	<p>通电12H,不通水, 阀体不变形, 线圈不烧坏;</p> <p>Energize for 12hrs, but not connect through the water, the valve should be no deformation, and the coil should not be burned</p>
<p>耐电压</p> <p>Withstand voltage</p>	<p>导电部分与外露非带电金属部分之间应能承受, AC1500V,50HZ,历时1min无闪络, 不击穿; AC1800V,50HZ,历时1S无闪络, 不击穿;</p> <p>The acceptable high-voltage power between electric conduction and outer without electrified metal withstand AC1500V 50HZ for 1min, no flashover or breakdown.</p> <p>withstand AC1800V, 50HZ for 1s, no flashover or breakdown</p>
<p>止回功能</p> <p>Non-return function</p>	<p>无</p> <p>No</p>
<p>过滤功能</p> <p>Filtering function</p>	<p>带过滤网</p> <p>with filter screen</p>

线圈与阀体角度 Angle between coil and valve body	270° / 180° / 90° / 0°
电源连接方式 Power supply connection way	M3螺丝固定 / 6.3插片 fixed with M3 screw / #6.3 bolt terminal
使用寿命 Life Expectancy	≥10万次 ≥100K cycles
保证期限 Guarantee Period	正常使用情况下, 本公司的保证期限为12个月 Under the normal use conditions, the quality warranty period for our goods is 12 months

3. Plan view





Professional Manufacturer Since 2000

S/N	name	quantity	material
1	coil cover	1	PP
2	padlet cover	2	alloy (no plating steel)
3	upper coil bracket	1	F 2020 rolling steel
4	lower coil bracket	1	PP
5	oil screw	4	SUS304
6	lower coil bracket	1	F 2020 rolling steel
7	backnut	1	POM
8	coil spring	1	SUS304
9	moving iron core	1	430F
10	oil screw spacer	1	SP (1015)
11	Torsion Spring	1	SUS304
12	Diaphragm holder	1	POM
13	Diaphragm	1	EPDM
14	AOI valve body	1	cast iron ZHANGSU-2.0
15	Filter	1	POM
16	cover	1	SP (1015)
17	coil cover	1	cast iron ZHANGSU-2.0

Model		Solenoid valve	
VERSION		PROJECTION	
KH14FE22E			
SCALE	SIZE	DESIGNED	Wei Lin
5:1	A4	CHECKED	Zhongju Peng
2022.05.11		APPROVED	Johan Xu