

Module-Center

Tel: 021-6608302

CELL:09107517388

E-Mail: info@module-center.com

Wechat09107517388

Website: www.module-center.com

Solenoid water valve



动作方式 Action way	先导式 Pilot type
型式 Type	常闭式 NC
工作压力 Working pressure	0.02Mpa-0.8Mpa
进水口连接方式 Input connection way	4分外螺 G1/2" external threads
出水口连接方式 Output connection way	4分外螺或2分内螺 G1/2" external threads or G1/4 Inner threads
使用介质 Applicable medium	水 water
阀体材质 Valve body material	铜阀体 Copper valve body

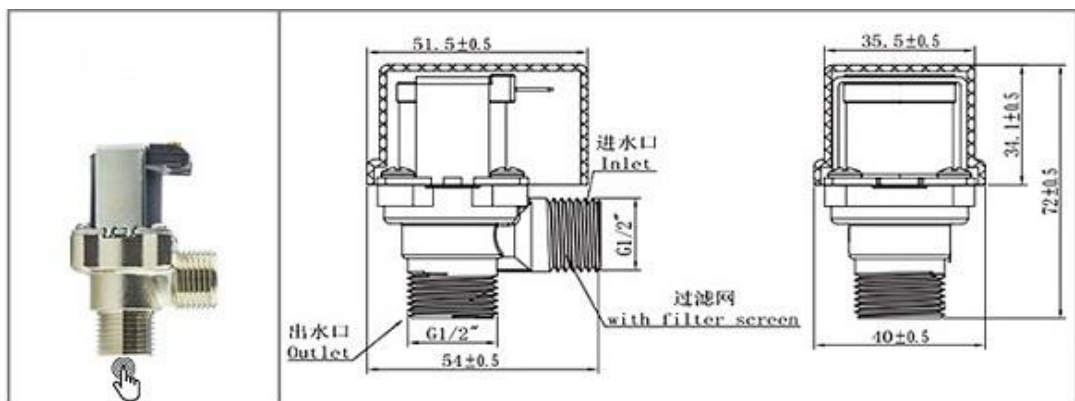
介质温度 Medium temperature	0-100°C
环境温度 Environment temperature	0-50°C
额定电负荷 Electrical rating	AC220V,0.02A/ DC6V,0.6A/ DC9V,0.4A/ DC12V,0.3A/ DC24V,0.15A
额定电负荷变化范围 Variable voltage of supply voltage	-10%~+10%
绝缘电阻 Insulation resistance	DC500V兆欧表历时1min后绝缘电阻应 $\geq 100\text{M}\Omega$ Tested by DC500V megohmmete for 1 min, the insulation resistance should $\geq 100\text{M}\Omega$

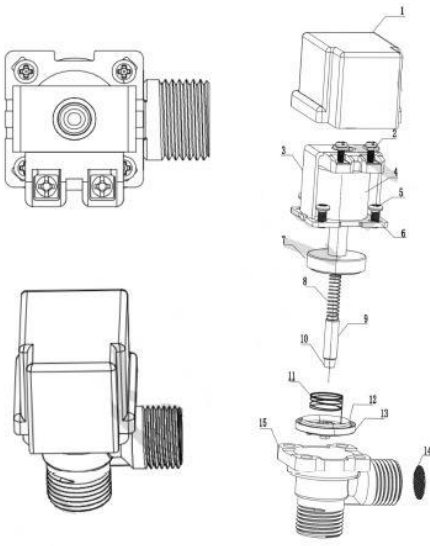
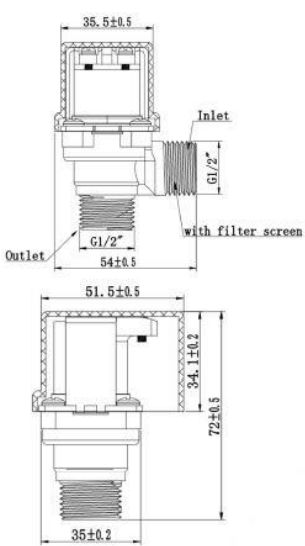
<p>绝缘电阻</p> <p>Insulation resistance</p>	<p>DC500V兆欧表历时1min后绝缘电阻应$\geq 100M\Omega$</p> <p>Tested by DC500V megohmmete for 1 min, the insulation resistance should $\geq 100M\Omega$</p>
<p>水密性能</p> <p>Watertigh performance</p>	<p>静水压0.02Mpa,泄漏量 < 0.1ml/min 静水压0.03-0.8Mpa,泄漏量 0ml/min</p> <p>Hydrostatic pressure 0.02Mpa, leakage ratio < 0.1mL/min, Hydrostatic pressure 0.03-0.8Mpa, leakage ratio 0 mL/min</p>
<p>耐水压</p> <p>Hydraulic pressure withstand</p>	<p>静水压1.2Mpa,历时5min,无破裂、变形、外部漏;</p> <p>withstand hydrostatic pressure of 1.2 Mpa for 5min, no unbroken, deformation or outside leakage</p>
<p>可靠性</p> <p>Reliability</p>	<p>0.02-0.8Mpa,通、断各10S持续1h,单向止回阀不直通,无卡死等;</p> <p>0.02-0.8Mpa, make and break for 10s respectively, lasting 1hr, the check valve should be unblocked</p>
<p>流量特性</p> <p>Flow characteristic</p>	<p>压力0.02Mpa,流量3L/min,流量;压力0.1Mpa,流量8L/min;压力0.3Mpa,流量13L/min;压力0.8Mpa,流量25L/min</p> <p>Pressure 0.02Mpa, Flux 3L/min, Pressure 0.1Mpa, Flux 8L/min. Pressure 0.3pa, Flux 13L/min. Pressure 0.8Mpa, Flux 25L/min</p>

<p>层间绝缘</p> <p>Across layers insulation</p>	<p>高压脉冲2S后应正常;</p> <p>Withstand high ovtage pulse for 2s, it should be normal</p>
<p>连续通电</p> <p>Continuously energized</p>	<p>通电12H,不通水, 阀体不变形, 线圈不烧坏;</p> <p>Energize for 12hrs, but not connect through the water, the valve should be no deformation, and the coil should not be burned</p>
<p>耐电压</p> <p>Withstand voltage</p>	<p>导电部分与外露非带电金属部分之间应能承受, AC1500V,50HZ,历时1min无闪络, 不击穿; AC1800V,50HZ,历时1S无闪络, 不击穿;</p> <p>The acceptable high-voltage power between electric conduction and outer without electrified metal withstand AC1500V 50HZ for 1min, no flashover or breakdown.</p> <p>withstand AC1800V, 50HZ for 1s, no flashover or breakdown</p>
<p>止回功能</p> <p>Non-return function</p>	<p>无</p> <p>No</p>
<p>过滤功能</p> <p>Filtering function</p>	<p>带过滤网</p> <p>with filter screen</p>

线圈与阀体角度 Angle between coil and valve body	270° / 180° / 90° / 0°
电源连接方式 Power supply connection way	M3螺丝固定 / 6.3插片 fixed with M3 screw / #6.3 bolt terminal
使用寿命 Life Expectancy	≥10万次 ≥100K cycles
保证期限 Guarantee Period	正常使用情况下, 本公司的保证期限为12个月 Under the normal use conditions, the quality warranty period for our goods is 12 months

3. Plan view





Professional Manufacturer Since 2000

S.N	NAME	quantity	material
1	Coil cover	1	PP
2	Padded screw	2	color zinc-plating iron
3	Upper soil bracket	1	5.1.5cold-rolling sheet
4	plastic-capsulated coil	1	PP
5	Set screw	4	SUS304
6	lower soil bracket	1	6.2cold-rolling sheet
7	barcket	1	POM
8	coil spring	1	SUS304
9	moving iron core	1	430F
10	Silicone spacer	1	SR (101G)
11	Tension Spring	1	SUS304
12	Diaphragmholder	1	POM
13	Diaphragm	1	EPDM
14	filter	1	SUS304
15	A10 solenoid body	1	cast brass ZH6888-2-2

Model		A10Solenoid valve	
VERSION		PROJECTION	
KH14FE22E			
SCALE	SIZE	 <small>Dimensions are shown mm(inches)</small>	DESIGNED Wei Lin CHECKED ZhongJu Peng APPROVED Johan Xu
5:1	A4		

Activate Windows
 Go to Settings to activate Windows