

# Module-Center

Tel: 021-6608302

CELL:09107517388

E-Mail: [info@module-center.com](mailto:info@module-center.com)

Wechat09107517388

Website: [www.module-center.com](http://www.module-center.com)

---

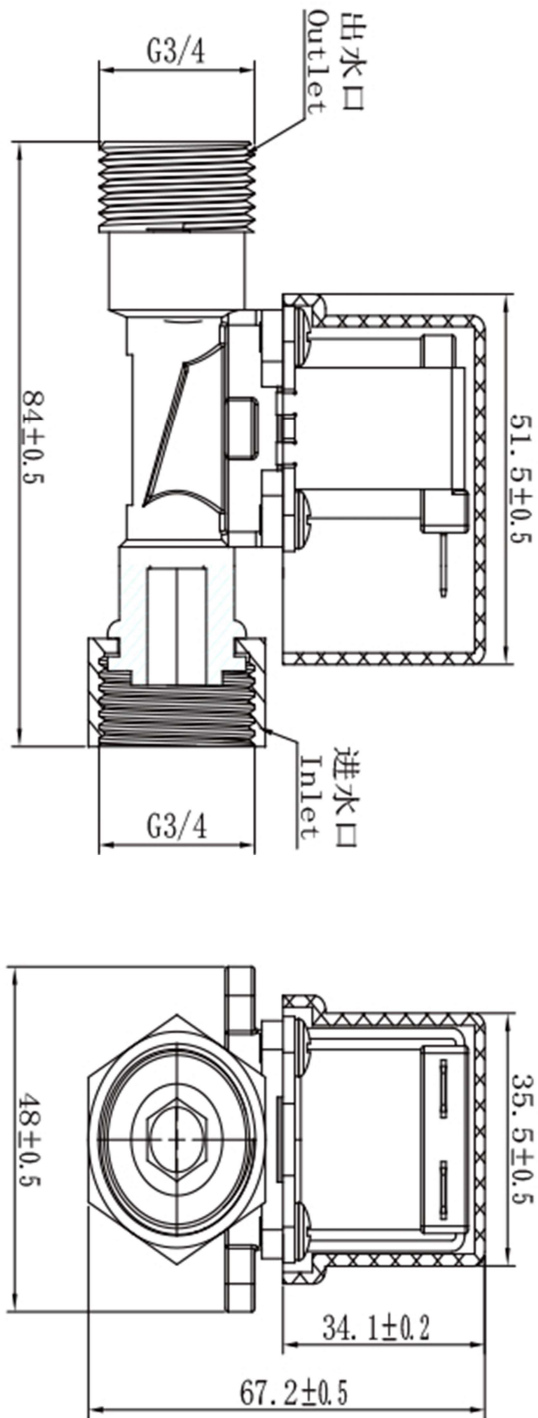
## Solenoid water valve

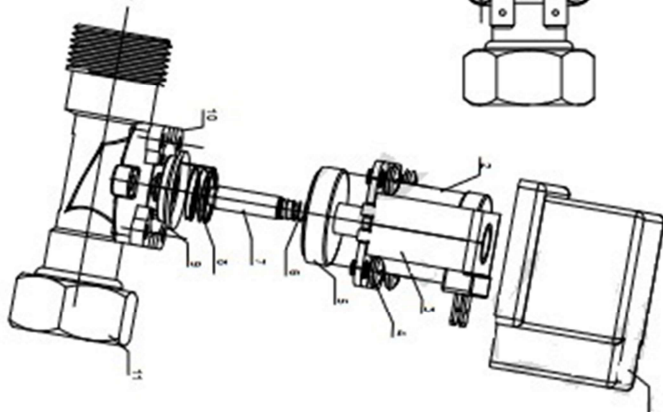
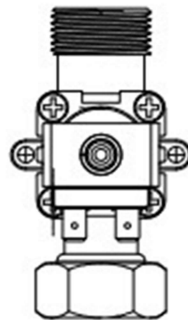
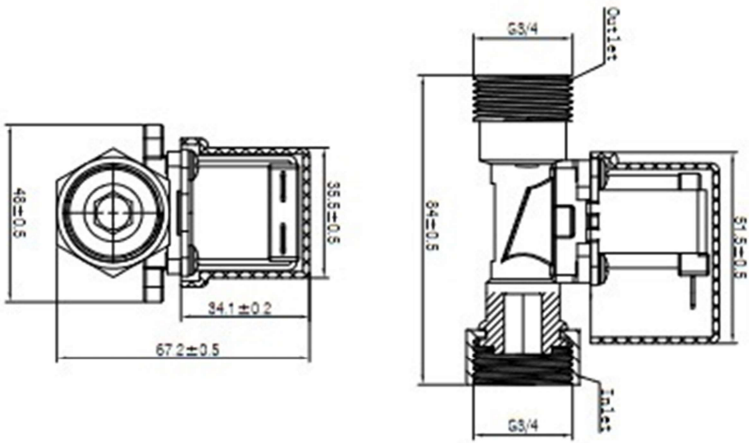


Action way	Pilot type
Type	NC
Working pressure	0.02Mpa-0.8Mpa
Input connection way	G3/4" external threads
Output connection way	G3/4" external threads
Applicable medium	water
Valve body material	Copper valve body
Medium temperature	0-100°C
Environment temperature	0-50°C
Electrical rating	AC220V,0.02A/ DC6V,0.6A/ DC9V,0.4A/ DC12V,0.3A/ DC24V,0.15A
Variable voltage of supply voltage	-10%~+10%
Insulation resistance	Tested by DC500V megohmmete for 1 min, the insulation resistance should $\geq 100M\Omega$
Watertigh performance	Hydrostatic pressure 0.02Mpa, leakage ratio <0.1mL/min, Hydrostatic pressure 0.03-0.8Mpa, leakage ratio 0 mL/min
Hydraulic pressure withstand	withstand hydrostatic pressure of 1.2 Mpa for 5min, no unbroken, deformation or outside leakage
Reliability	0.02-0.8Mpa, make and break for 10s respectively, lasting 1hr, the check valve should be unblocked
Flow characteristic	Pressure 0.02Mpa, Flux 3L/min, Pressure 0.1Mpa, Flux 8L/min. Pressure 0.3pa, Flux 13L/min. Pressure 0.8Mpa, Flux 25L/min

Across layers insulation	Withstand high ovltage pulse for 2s, it should be normal
Continuously energized	Energize for 12hrs, but not connect through the water, the valve should be no deformation, and the coil should not be burned
Withstand voltage	The acceptable high-voltage power between electric conduction and outer without electrified metal withstand AC1500V 50HZ for 1min, no flashover or breakdown.
	withstand AC1800V, 50HZ for 1s, no flashover or breakdown
Non-return function	No
Filtering function	No
Angle between coil and valve body	270° / 180° / 90° / 0°
Power supply connection way	fixed with M3 screw / #6.3 bolt terminal
Life Expectancy	≥100K cycles
Guarantee Period	Under the normal use conditions,the quality warranty period for our goods is 12 months

### 3. Plan view





Professional Manufacturer Since 2000

SN	ITEM	quantity	material
1	coil cover	1	PP
2	plastic cover and coil	2	PP
3	upper coil bracket	1	Ø1.5ozd galvng sheet
4	set screw	1	coater zinc-plating iron
5	bracket	4	POM
6	coil spring	1	SUS304
7	moving iron core	1	430F
8	Torsion Spring	1	SUS304
9	backstopper	1	EPDM
10	All valve body	1	EP
11	inlet/outlet joint	1	cast brass ZHWK28-2.2

Model	A12Solenoid valve
VERSION	PROJECTION
KH14FE22E	
SCALE	SIZE
5:1	A4
	Dimensions in mm (inch)
	2022.05.11