

Module-Center

ADDR: 2 nd-Floor-No3-Khunraz alley -Dampezeski street-Ostad Maein Boulevard -Azadi Avenue Tehran-Iran

Tel:021-66083021

CELL:+98 9107517388

E-Mail: info@module-center.com

Wechat+98 9107517388

Website: www.module-center.com

Brushless Water Pump

[PUM-00041](#)



•[Product features]

Name:	Mini centrifugal DC water pump/Brushless DC water pump
Certificate:	CE/RoHS/ISO
Model:	<u>PUM-00041</u>
Life:	<u>20000 Hours</u>
Color:	<u>Black</u>
Material:	PPS
Waterproof leve:	IP68
Insulation class:	CLASS F(155°C)
Noise:	<u>45dB</u>
Out Diameter:	R1/2
Inlet Diameter:	R1/2

•[Performance parameters]

Rated voltage:	<u>12-24(Vdc)</u>
Current Rating:	<u>6.2-3A</u>
Rated power:	<u>75 W</u>
Static lift:	<u>15 M</u>
Open Flow Rate:	<u>20L/min</u>

•[Scope of use]

Ambient temperature:	<u>-25°C/50°C</u>
Liquid temperature:	<u>0°C/100°C</u>
environment humidity:	<u>Diving</u>
The type of liquid:	<u>Liquid</u>
Power Type:	<u>Power adaptor</u>

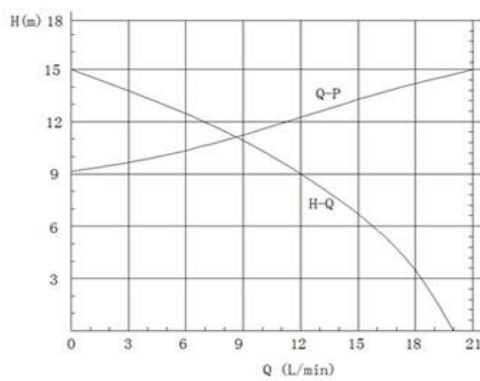
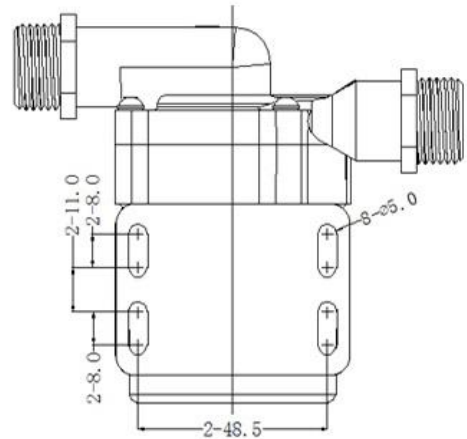
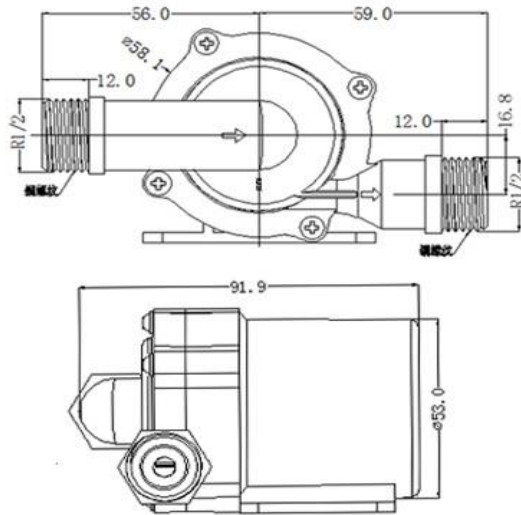
Warning

- 1- Do not give too much voltage to the separate pump.
- 2- Make sure your power supply is more than 2 amps.
- 3- Do not use alcohol - benzene - and corrosive liquids.

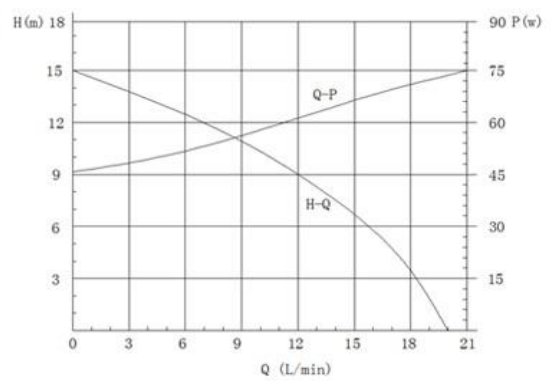
Parameters

• Micro DC Brushless Pump

STATIC LIFT : 15m
 POWER : 75w/72w
 VOLTS : 12V/24V(DC)
 FLOW RATE : 20LPM
 OUTLET DIAMETER : R1/2
 INLET DIAMETER : R1/2



12V



24V

Model	Volts (V)	Amps (A)	Max flow (LPM)	Max lift head (M)	power (W)
	12	6.2	20	15	75
	24	3.0	20	15	72