

Module-Center

ADDR: 2 nd-Floor-No3-Khunraz alley -Dampezeski street-Ostad Maein Boulevard -Azadi Avenue Tehran-Iran

Tel:021-66083021

CELL:+98 9107517388

E-Mail: info@module-center.com

Wechat+98 9107517388

Website: www.module-center.com

Brushless Water Pump

[PUM-00043](#)



•[Product features]

Name:	Mini centrifugal DC water pump/Brushless DC water pump
Certificate:	CE/RoHS/ISO
Model:	<u>PUM-00043</u>
Life:	<u>20000 Hours</u>
Color:	<u>Black</u>
Material:	PPS
Waterproof leve:	IP68
Insulation class:	CLASS F(155°C)
Noise:	<u>45dB</u>
pressure:	<u>0.8bar</u>
Out Diameter:	R1/2
Inlet Diameter:	R1/2

•[Performance parameters]

Rated voltage:	<u>12-24(Vdc)</u>
Current Rating:	<u>6.5-3.5A</u>
Rated power:	<u>78-80 W</u>
Static lift:	<u>8 M</u>
Open Flow Rate:	<u>40L/min</u>

•[Scope of use]

Ambient temperature:	<u>-25°C/50°C</u>
Liquid temperature:	<u>0°C/100°C</u>
environment humidity:	<u>Diving</u>
The type of liquid:	<u>Liquid</u>
Power Type:	<u>Power adaptor</u>

Warning

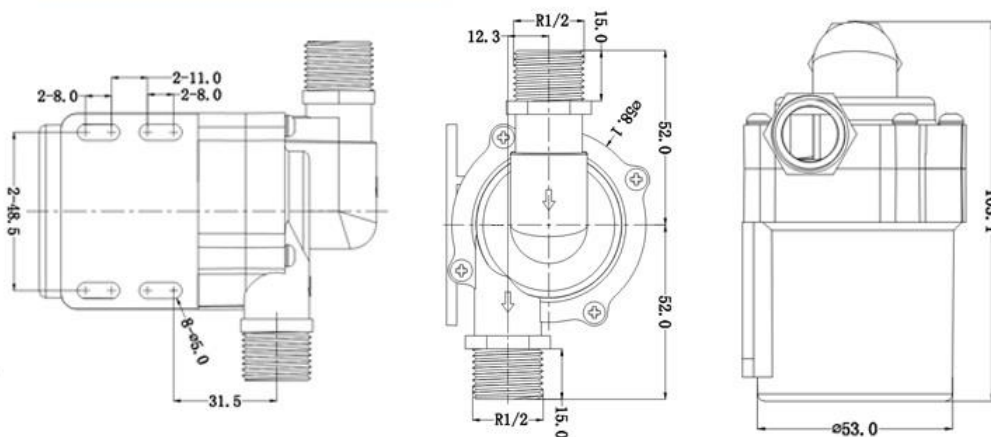
- 1- Do not give too much voltage to the separate pump.
- 2- Make sure your power supply is more than 2 amps.
- 3- Do not use alcohol - benzene - and corrosive liquids.

Parameters

PUM-00043

• Micro DC Brushless Pump

STATIC LIFT : 8m
 POWER : 78w/80w
 VOLTS : 12V/24V
 FLOW RATE : 40LPM
 OUTLET DIAMETER : R1/2
 INLET DIAMETER : R1/2



Model	Volts (V)	Amps (A)	Max flow (LPM)	Max lift head (M)	power (W)
	12	6.5	40	8	78
	24	3.3	40	8	80