

Module-Center

Tel: 021-6608302

CELL:09107517388

E-Mail: info@module-center.com

Wechat09107517388

Website: www.module-center.com

Brushless DC Pump

[PUM-00066](#)



•[Product features]

Name:	<u>Brushless DC Pump</u>
Model:	<u>PUM-00066</u>
Life:	<u>20000 Hours</u>
Color:	<u>Beige</u>
Material:	<u>PPE</u>
Waterproof leve:	<u>IP68</u>
RoHS:	<u>√</u>
Noise:	<u>≤40dB</u>
Sealability:	<u>≥0.4MPa</u>
Insulation class:	<u>CLASS F(155°C)</u>
Principle:	<u>Centrifugal</u>

•[Performance parameters]

Rated voltage:	<u>12(Vdc) 24(Vdc)</u>
voltage range:	<u>6V-13.2V / 13V-25V</u>
Current Rating:	<u>1A ± 10%</u>
Rated power:	<u>26 W</u>
Static lift:	<u>5 M</u>
Open Flow Rate:	<u>20 LPM</u>

•[Scope of use]

Ambient temperature:	<u>-25°C-50°C</u>
Liquid temperature:	<u>0°C-100°C</u>
environment humidity:	<u>Diving</u>
The type of liquid:	<u>Liquid</u>
Power Type:	<u>Power adaptor</u>

•[Protection Feature]

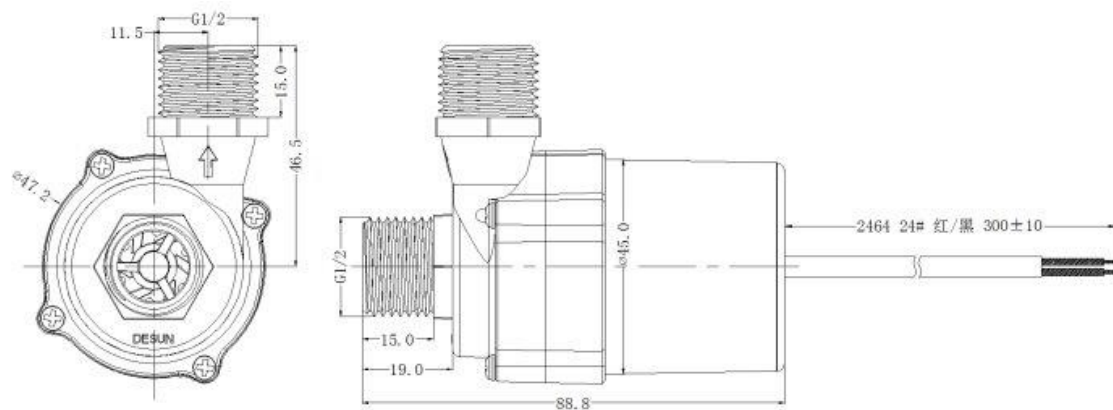
1. Reverse voltage protection

When the reverse polarity, the pump should not be damaged, the pump can work properly after releasing reverse.

2. Locked-rotor protection

When the rotor has a stuck phenomenon, the pump automatically stops working until the problem is lifted to prevent the pump from overheating.

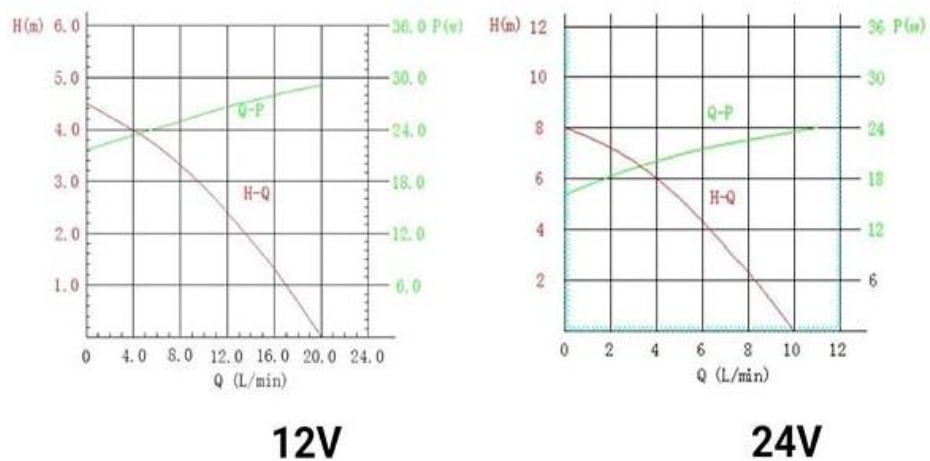
•[Plan view]



•[Wire instructions]

2464 24# 350MM	Red : Positive
	Black : Negative

•[Work curve]



•**[Notice]**

1. This product belongs to the centrifugal pump, must be installed in the liquid surface below the normal position.
2. Do not use with 0.35mm larger than the liquid impurities and guide the magnetic particles.
3. No liquid in the pump, is strictly prohibited! To prevent high-speed rotation of the rotor to produce high-temperature wear internal structure.
4. When using a low-temperature environment, make sure that the liquid will not freeze or become very viscous.
5. Must be expected to low temperature frost heave the situation, to prevent the winter water within the ice burst.
6. DC brushless pump internal clearance precise control, is strictly prohibited beating; otherwise cause noise and vibration increase!