

# Module-Center

**ADDR:** 2 nd-Floor-No3-Khunraz alley -Dampezeski street-Ostad Maein Boulevard -Azadi Avenue Tehran-Iran

**Tel:**021-66083021

**CELL:**+98 9107517388

**E-Mail:** info@module-center.com

**Wechat**+98 9107517388

**Website:** [www.module-center.com](http://www.module-center.com)

---

## Brushless Water Pump

[PUM-00040](#)



### **•[Product features]**

Name:	Mini centrifugal DC water pump/Brushless DC water pump
Certificate:	CE/RoHS/ISO
Model:	<u>PUM-00040</u>
Life:	<u>20000 Hours</u>
Color:	Beige
Material:	PPE
Waterproof leve:	IP68
Insulation class:	CLASS F(155°C)
Noise:	<u>35dB</u>
pressure:	<u>0.4MPa</u>
Out Diameter:	R1/2
Inlet Diameter:	R1/2

### **•[Performance parameters]**

Rated voltage:	<u>12-24(Vdc)</u>
Current Rating:	<u>1-0.5A</u>
Rated power:	<u>12 W</u>
Static lift:	<u>5 M</u>
Open Flow Rate:	<u>9L/min</u>

### **•[Scope of use]**

Ambient temperature:	<u>-25°C/50°C</u>
Liquid temperature:	<u>0°C/100°C</u>
environment humidity:	<u>Diving</u>
The type of liquid:	<u>Liquid</u>
Power Type:	<u>Power adaptor</u>

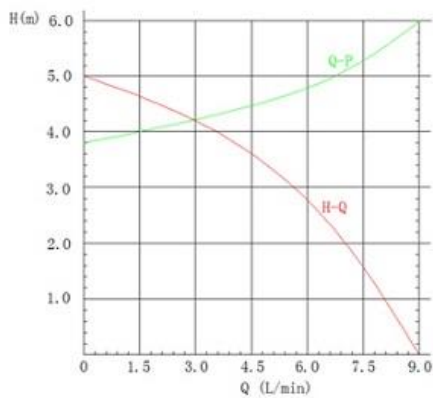
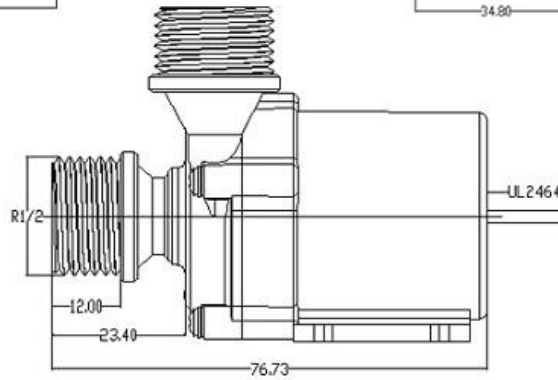
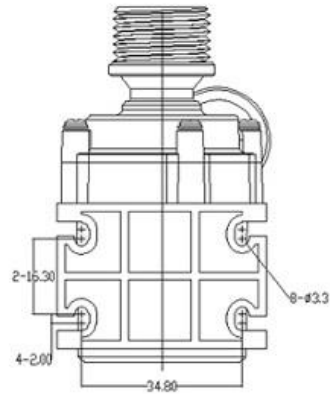
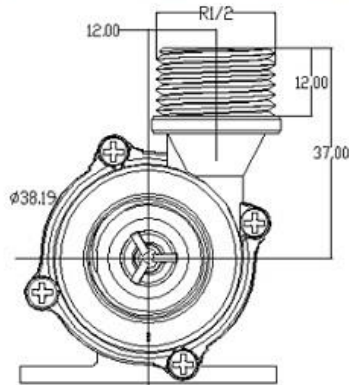
## Warning

- 1- Do not give too much voltage to the separate pump.
- 2- Make sure your power supply is more than 2 amps.
- 3- Do not use alcohol - benzene - and corrosive liquids.

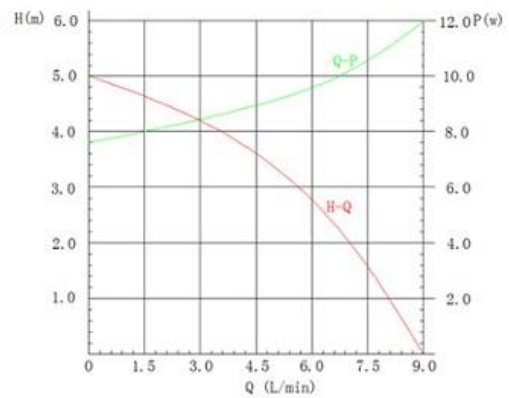
## Parameters

### • Micro DC Brushless Pump

STATIC LIFT : 5m  
 POWER : 12w  
 VOLTS : 12V/24V(DC)  
 FLOW RATE : 9L/min  
 OUTLET DIAMETER : R1/2  
 INLET DIAMETER : R1/2



**12V**



**24V**

Model	Volts (V)	Amps (A)	Max flow (LPM)	Max lift head (M)	power (W)
	12	1	9	5	12
	24	0.5	9	5	12