

Module-Center

ADDR: 2 nd-Floor-No3-Khunraz alley -Dampezeski street-Ostad Maein Boulevard -Azadi Avenue Tehran-Iran

Tel:021-66083021

CELL:+98 9107517388

E-Mail: info@module-center.com

Wechat+98 9107517388

Website: www.module-center.com

Brushless Water Pump

[PUM-00042](#)



•[Product features]

Name:	Mini centrifugal DC water pump/Brushless DC water pump
Certificate:	CE/RoHS/ISO
Model:	<u>PUM-00042</u>
Life:	<u>30000 Hours</u>
Color:	<u>Black</u>
Material:	PPS
Waterproof leve:	IP68
Insulation class:	CLASS F(155°C)
Noise:	<u>40dB</u>
pressure:	<u>1.1MPa</u>
Out Diameter:	R1 in
Inlet Diameter:	R1 in

•[Performance parameters]

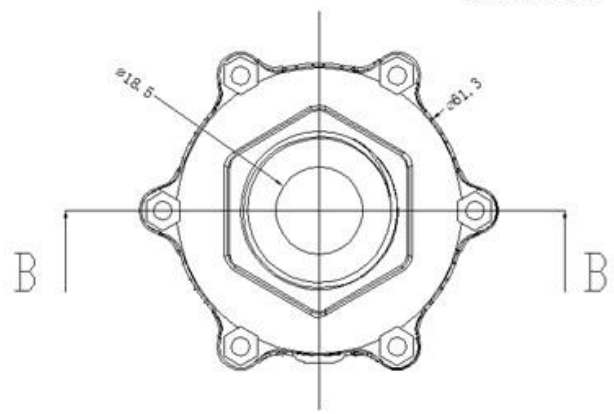
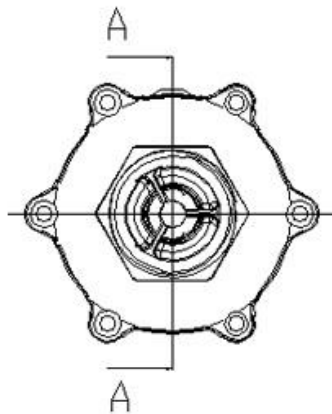
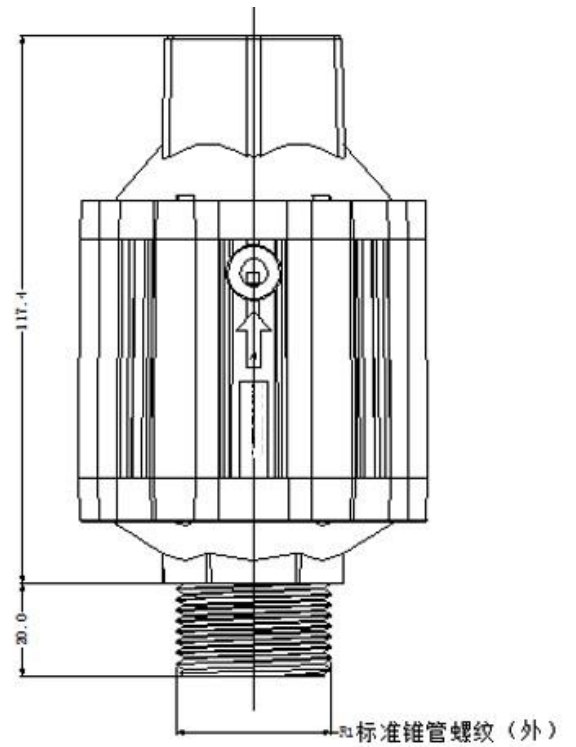
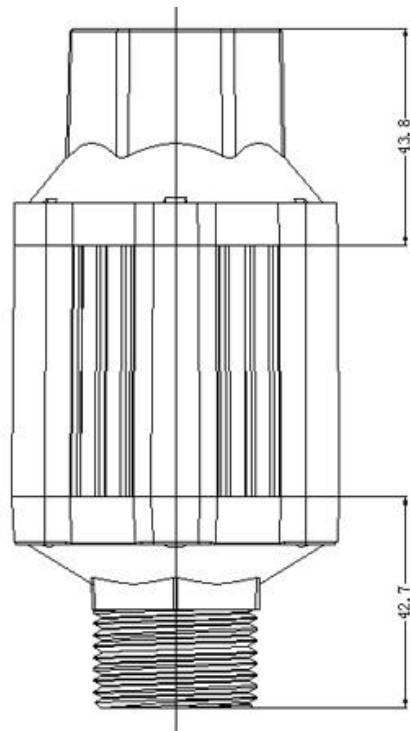
Rated voltage:	<u>12-24(Vdc)</u>
Current Rating:	<u>6.5-3.5A</u>
Rated power:	<u>78-84 W</u>
Static lift:	<u>14 M</u>
Open Flow Rate:	<u>31L/min</u>

•[Scope of use]

Ambient temperature:	<u>-25°C/50°C</u>
Liquid temperature:	<u>0°C/100°C</u>
environment humidity:	<u>Diving</u>
The type of liquid:	<u>Liquid</u>
Power Type:	<u>Power adaptor</u>

Warning

- 1- Do not give too much voltage to the separate pump.
- 2- Make sure your power supply is more than 2 amps.
- 3- Do not use alcohol - benzene - and corrosive liquids.



Customizable functions

0-5V speed control
PWM speed control
FG signal wire
PV (solar powered)
Submersible (water temp. $\leq 50^{\circ}\text{C}$)
High temperature (100°C hot water)
Protective function