

Module-Center

Tel: 021-6608302

CELL:09107517388

E-Mail: info@module-center.com

Wechat09107517388

Website: www.module-center.com

Solenoid water valve

[SOL-00001](#) / [SOL-00002](#) / [SOL-00027](#)



| | |
|----------------------------------|--------------------------------|
| 动作方式 Action way | 先导式 Pilot type |
| 型式 Type | 常闭式 NC |
| 工作压力 Working pressure | 0.02Mpa-0.8Mpa |
| 进水口连接方式 Input connection way | 4分外螺 G1/2" external threads |
| 出水口连接方式 Output connection way | 4分外螺 G1/2" external threads |
| 使用介质 Applicable medium | 水 water |

| | |
|---|---|
| <p>阀体材质</p> <p>Valve body material</p> | <p>塑料阀体, 铜接头</p> <p>Plastic valve body</p> <p>copper joint</p> |
| <p>介质温度</p> <p>Medium temperature</p> | <p>0-80℃</p> |
| <p>环境温度</p> <p>Environment</p> <p>temperature</p> | <p>0-50℃</p> |
| <p>额定电负荷</p> <p>Electrical rating</p> | <p>AC220V,0.02A/ DC6V,0.6A/ DC9V,0.4A/ DC12V,0.3A/</p> <p>DC24V,0.15A</p> |
| <p>额定电负荷变化范围</p> <p>Variable voltage of</p> <p>supply voltage</p> | <p>-10%~+10%</p> |

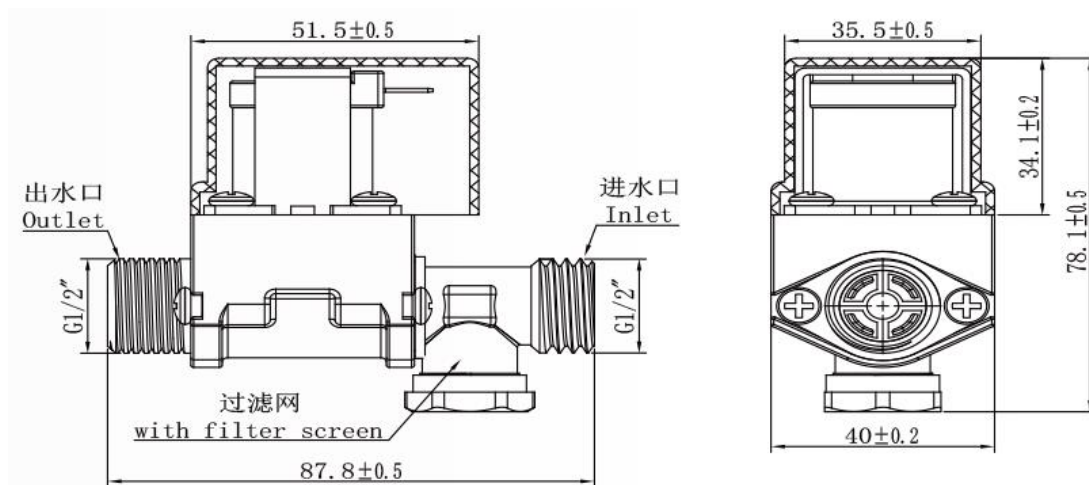
| | |
|--|---|
| <p>绝缘电阻</p> <p>Insulation resistance</p> | <p>DC500V兆欧表历时1min后绝缘电阻应$\geq 100\text{M}\Omega$</p> <p>Tested by DC500V megohmmete for 1 min, the insulation resistance should $\geq 100\text{M}\Omega$</p> |
| <p>水密性能</p> <p>Watertight performance</p> | <p>静水压0.02Mpa, 泄漏量 $< 0.1\text{ml}/\text{min}$ 静水压0.03-0.8Mpa, 泄漏量0ml/min</p> <p>Hydrostatic pressure 0.02Mpa, leakage ratio $< 0.1\text{mL}/\text{min}$, Hydrostatic pressure 0.03-0.8Mpa, leakage ratio 0 mL/min</p> |
| <p>耐水压</p> <p>Hydraulic pressure withstand</p> | <p>静水压1.2Mpa, 历时5min, 无破裂、变形、外部漏;</p> <p>withstand hydrostatic pressure of 1.2 Mpa for 5min, no unbroken, deformation or outside leakage</p> |
| <p>可靠性</p> <p>Reliability</p> | <p>0.02-0.8Mpa, 通、断各10S持续1h, 单向止回阀不直通, 无卡死等;</p> <p>0.02-0.8Mpa, make and break for 10s respectively, lasting 1hr, the check valve should be unblocked</p> |

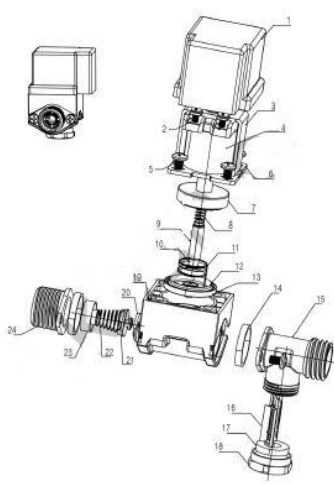
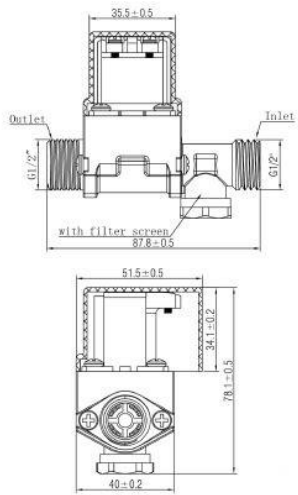
| | |
|---|---|
| <p>流量特性</p> <p>Flow characteristic</p> | <p>压力0.02Mpa,流量3L/min,流量;压力0.1Mpa, 流量8L/min;压力0.3Mpa,流量13L/min;压力0.8Mpa,流量25L/min</p> <p>Pressure 0.02Mpa, Flux 3L/min, Pressure 0.1Mpa, Flux 8L/min. Pressure 0.3pa, Flux 13L/min. Pressure 0.8Mpa, Flux 25L/min</p> |
| <p>层间绝缘</p> <p>Across layers insulation</p> | <p>高压脉冲2S后应正常;</p> <p>Withstand high ovltage pulse for 2s, it should be normal</p> |
| <p>连续通电</p> <p>Continuously energized</p> | <p>通电12H,不通水, 阀体不变形, 线圈不烧坏;</p> <p>Energize for 12hrs, but not connect through the water, the valve should be no deformation, and the coil should not be burned</p> |

| | |
|---|---|
| <p>耐电压</p> <p>Withstand voltage</p> | <p>导电部分与外露非带电金属部分之间应能承受, AC1500V,50HZ,历时1min无闪络, 不击穿; AC1800V,50HZ,历时1S无闪络, 不击穿;</p> <p>The acceptable high-voltage power between electric conduction and outer without electrified metal withstand AC1500V 50HZ for 1min, no flashover or breakdown. withstand AC1800V, 50HZ for 1s, no flashover or breakdown</p> |
| <p>止回功能</p> <p>Non-return function</p> | <p>有</p> <p>Yes</p> |
| <p>过滤功能</p> <p>Filtering function</p> | <p>带过滤网</p> <p>with filter screen</p> |
| <p>线圈与阀体角度</p> <p>Angle between coil and valve body</p> | <p>270° / 180° / 90° / 0°</p> |

| | |
|--|--|
| 电源连接方式 Power supply connection way | M3螺丝固定 / 6.3插片 fixed with M3 screw / #6.3 bolt terminal |
| 使用寿命 Life Expectancy | ≥ 10 万次 $\geq 100K$ cycles |
| 保证期限 Guarantee Period | 正常使用情况下, 本公司的保证期限为12个月 Under the normal use conditions, the quality warranty period for our goods is 12 months |

3. Plan view





| S/N | name | quantity | material |
|-----|-----------------------------|----------|--------------------------|
| 1 | coil cover | 1 | PP |
| 2 | paste screw | 2 | Blue zinc-plating iron |
| 3 | upper coil bracket | 1 | Ø 1.5 cold rolling sheet |
| 4 | plastic-capsule bracket | 1 | PP |
| 5 | Set screw | 8 | SUS304 |
| 6 | lower coil bracket | 1 | Ø 2 cold rolling sheet |
| 7 | barcket | 1 | POM |
| 8 | coil spring | 1 | SUS304 |
| 9 | moving iron core | 1 | 430F |
| 10 | Silicone spacer | 1 | SR (1016) |
| 11 | Torsion Spring | 1 | SUS304 |
| 12 | Diaphragm holder | 1 | POM |
| 13 | Diaphragm | 1 | EPCM |
| 14 | O-rings | 2 | SR (1016) |
| 15 | inlet copper joint | 1 | cast brass 2HMN58-2-2 |
| 16 | filter | 1 | POM |
| 17 | gasket | 1 | SR (1016) |
| 18 | filter cover | 1 | cast brass 2HMN58-2-2 |
| 19 | A01 valve body | 1 | PP |
| 20 | inlet gasket (check valve) | 1 | SR (1016) |
| 21 | locating cast (check valve) | 1 | POM |
| 22 | feeder spring (check valve) | 1 | SUS304 |
| 23 | locating ring (check valve) | 1 | POM |
| 24 | inlet copper joint | 1 | cast brass 2HMN58-2-2 |

| | | | |
|-----------|------|------------------------------------|--------------|
| Model | | Solenoid valve | |
| VERSION | | PROJECTION | |
| KH14FE22E | | | |
| SCALE | SIZE | Dimensions are shown mm (inch) | CHECKED |
| 5:1 | A4 | | 2022.05.11 |
| | | | DESIGNED |
| | | | Wei Lin |
| | | | CHECKED |
| | | | ZhongJu Peng |
| | | | APPROVED |
| | | | Johan Xu |

Activat
Go to Se