

Module-Center

ADDR: 2 nd-Floor-No3-Khunraz alley -Dampezhski
street-Ostad Maein Boulevard -Azadi Avenue Tehran-Iran

Tel: 021-6608302

CELL:09107517388

E-Mail: info@module-center.com

Wechat09107517388

Website: www.module-center.com

Solenoid water valve

[SOL-00016](#) / [SOL-00014](#) / [SOL-00015](#)



动作方式 Action way	先导式 Pilot type
型式 Type	常闭式 NC
工作压力 Working pressure	0.02Mpa-0.8Mpa
进水口连接方式 Input connection way	4分外螺 G1/2" external threads
出水口连接方式 Output connection way	4分外螺 G1/2" external threads
使用介质 Applicable medium	水 water

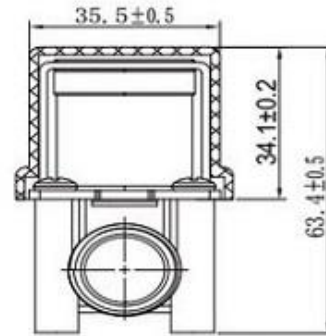
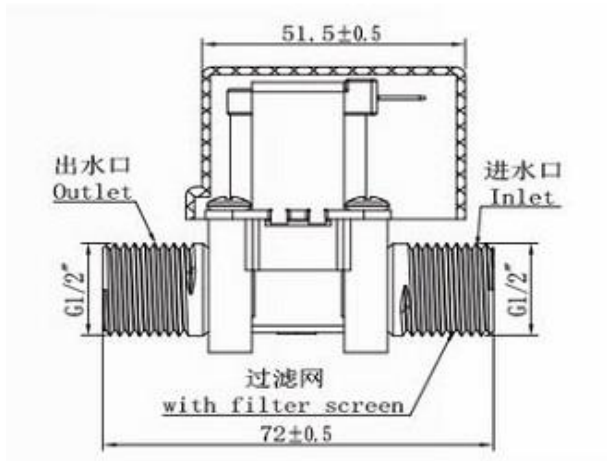
阀体材质 Valve body material	塑料阀体 Plastic valve body
介质温度 Medium temperature	0-80°C
环境温度 Environment temperature	0-50°C
额定电负荷 Electrical rating	AC220V,0.02A/ DC6V,0.6A/ DC9V,0.4A/ DC12V,0.3A/ DC24V,0.15A
额定电负荷变化范围 Variable voltage of supply voltage	-10%~+10%
绝缘电阻 Insulation resistance	DC500V兆欧表历时1min后绝缘电阻应 $\geq 100M\Omega$ Tested by DC500V megohmmete for 1 min, the insulation resistance should $\geq 100M\Omega$

<p>水密性能</p> <p>Watertight performance</p>	<p>静水压0.02Mpa, 泄漏量 < 0.1ml/min 静水压0.03-0.8Mpa, 泄漏量 0ml/min</p> <p>Hydrostatic pressure 0.02Mpa, leakage ratio < 0.1mL/min, Hydrostatic pressure 0.03-0.8Mpa, leakage ratio 0 mL/min</p>
<p>耐水压</p> <p>Hydraulic pressure withstand</p>	<p>静水压1.2Mpa, 历时5min, 无破裂、变形、外部漏;</p> <p>withstand hydrostatic pressure of 1.2 Mpa for 5min, no unbroken, deformation or outside leakage</p>
<p>可靠性</p> <p>Reliability</p>	<p>0.02-0.8Mpa, 通、断各10S持续1h, 单向止回阀不直通, 无卡死等;</p> <p>0.02-0.8Mpa, make and break for 10s respectively, lasting 1hr, the check valve should be unblocked</p>
<p>流量特性</p> <p>Flow characteristic</p>	<p>压力0.02Mpa, 流量3L/min, 流量; 压力0.1Mpa, 流量8L/min; 压力0.3Mpa, 流量13L/min; 压力0.8Mpa, 流量25L/min</p> <p>Pressure 0.02Mpa, Flux 3L/min, Pressure 0.1Mpa, Flux 8L/min. Pressure 0.3pa, Flux 13L/min. Pressure 0.8Mpa, Flux 25L/min</p>
<p>层间绝缘</p> <p>Across layers insulation</p>	<p>高压脉冲2S后应正常;</p> <p>Withstand high ovtage pulse for 2s, it should be normal</p>

连续通电 Continuously energized	通电12H,不通水, 阀体不变形, 线圈不烧坏; Energize for 12hrs, but not connect through the water, the valve should be no deformation, and the coil should not be burned
耐电压 Withstand voltage	导电部分与外露非带电金属部分之间应能承受, AC1500V,50HZ,历时1min无闪络, 不击穿; AC1800V,50HZ,历时1S无闪络, 不击穿; The acceptable high-voltage power between electric conduction and outer without electrified metal withstand AC1500V 50HZ for 1min, no flashover or breakdown. withstand AC1800V, 50HZ for 1s, no flashover or breakdown
止回功能 Non-return function	无 No
过滤功能 Filtering function	带过滤网 with filter screen
线圈与阀体角度 Angle between coil and valve body	270° / 180° / 90° / 0°

电源连接方式 Power supply connection way	M3螺丝固定 / 6.3插片 fixed with M3 screw / #6.3 bolt terminal
使用寿命 Life Expectancy	≥10万次 ≥100K cycles
保证期限 Guarantee Period	正常使用情况下, 本公司的保证期限为12个月 Under the normal use conditions, the quality warranty period for our goods is 12 months

3. Plan view



Professional Manufacture Since 2000
Quality

S/N	name	material
1	upper coil bracket	Ø 1 Solid rolling sheet
2	copper feed	Copper/braking copper
3	photo-operated coil	PP
4	Set screw	SUS304
5	lower coil bracket	Ø 2solid rolling sheet
6	bracket	POM
7	coil spring	SUS304
8	moving iron core	430F
9	Silicone spacer	SR (1016)
10	Torsion Spring	SUS304
11	Diaphragm holder	POM
12	Diaphragm	EPDM
13	A07 valvebody	POM
14	filter	SUS304

Model		Solenoid valve	
VERSION		PROJECTION	
SCALE	SIZE	<small>Dimensions are shown mm(inches)</small> 2022.05.11	
5:1	A4	CHECKED	Wei Lin
		APPROVED	ZhongJu Peng Johan Xu