

Module-Center

Tel: 021-6608302

CELL:09107517388

E-Mail: info@module-center.com

Wechat09107517388

Website: www.module-center.com

Solenoid water valve

[SOL-00022](#) / [SOL-00023](#)



动作方式 Action way	先导式 Pilot type
型式 Type	常闭式 NC
工作压力 Working pressure	0.02Mpa-0.8Mpa
进水口连接方式 Input connection way	4分外螺 G1/2" external threads
出水口连接方式 Output connection way	4分外螺 G1/2" external threads
使用介质 Applicable medium	水 water

阀体材质 Valve body material	塑料阀体, 铜接头 Plastic valve body copper joint
介质温度 Medium temperature	0-80℃
环境温度 Environment temperature	0-50℃
额定电负荷 Electrical rating	AC220V,0.02A/ DC6V,0.6A/ DC9V,0.4A/ DC12V,0.3A/ DC24V,0.15A
额定电负荷变化范围 Variable voltage of supply voltage	-10%~+10%

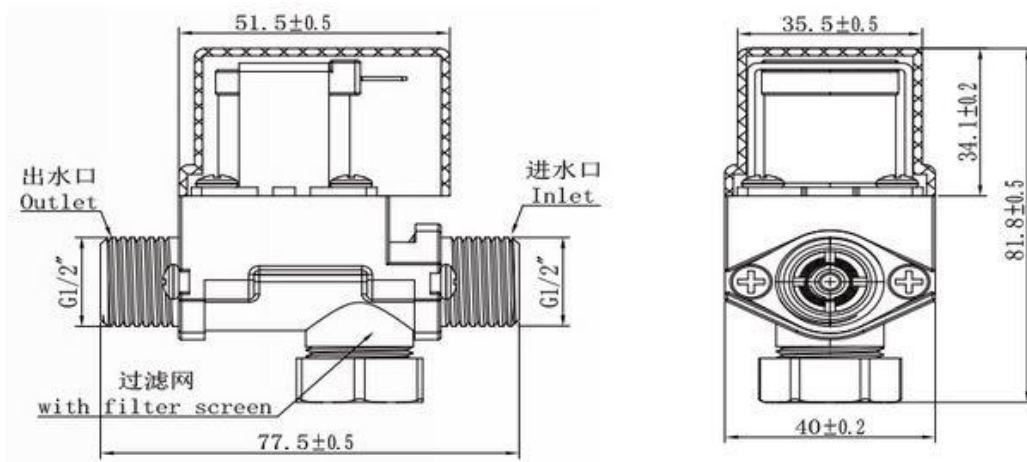
<p>绝缘电阻</p> <p>Insulation resistance</p>	<p>DC500V兆欧表历时1min后绝缘电阻应$\geq 100\text{M}\Omega$</p> <p>Tested by DC500V megohmmete for 1 min, the insulation resistance should $\geq 100\text{M}\Omega$</p>
<p>水密性能</p> <p>Watertight performance</p>	<p>静水压0.02Mpa, 泄漏量 $< 0.1\text{ml}/\text{min}$ 静水压0.03-0.8Mpa, 泄漏量0ml/min</p> <p>Hydrostatic pressure 0.02Mpa, leakage ratio $< 0.1\text{mL}/\text{min}$, Hydrostatic pressure 0.03-0.8Mpa, leakage ratio 0 mL/min</p>
<p>耐水压</p> <p>Hydraulic pressure withstand</p>	<p>静水压1.2Mpa, 历时5min, 无破裂、变形、外部漏;</p> <p>withstand hydrostatic pressure of 1.2 Mpa for 5min, no unbroken, deformation or outside leakage</p>
<p>可靠性</p> <p>Reliability</p>	<p>0.02-0.8Mpa, 通、断各10S持续1h, 单向止回阀不直通, 无卡死等;</p> <p>0.02-0.8Mpa, make and break for 10s respectively, lasting 1hr, the check valve should be unblocked</p>

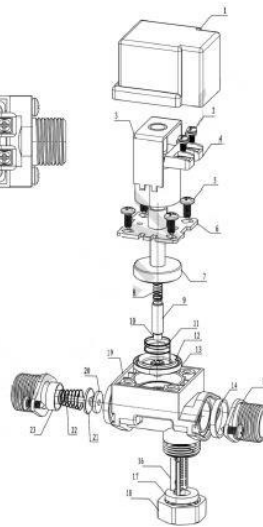
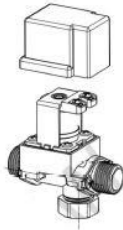
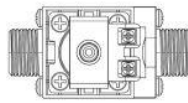
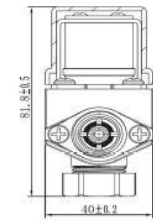
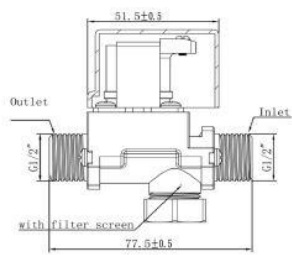
<p>流量特性</p> <p>Flow characteristic</p>	<p>压力0.02Mpa,流量3L/min,流量;压力0.1Mpa, 流量8L/min;压力0.3Mpa,流量13L/min;压力0.8Mpa,流量25L/min</p> <p>Pressure 0.02Mpa, Flux 3L/min, Pressure 0.1Mpa, Flux 8L/min. Pressure 0.3pa, Flux 13L/min. Pressure 0.8Mpa, Flux 25L/min</p>
<p>层间绝缘</p> <p>Across layers insulation</p>	<p>高压脉冲2S后应正常;</p> <p>Withstand high ovltage pulse for 2s, it should be normal</p>
<p>连续通电</p> <p>Continuously energized</p>	<p>通电12H,不通水, 阀体不变形, 线圈不烧坏;</p> <p>Energize for 12hrs, but not connect through the water, the valve should be no deformation, and the coil should not be burned</p>

<p>耐电压</p> <p>Withstand voltage</p>	<p>导电部分与外露非带电金属部分之间应能承受, AC1500V,50HZ,历时1min无闪络, 不击穿; AC1800V,50HZ,历时1S无闪络, 不击穿;</p> <p>The acceptable high-voltage power between electric conduction and outer without electrified metal withstand AC1500V 50HZ for 1min, no flashover or breakdown. withstand AC1800V, 50HZ for 1s, no flashover or breakdown</p>
<p>止回功能</p> <p>Non-return function</p>	<p>有</p> <p>Yes</p>
<p>过滤功能</p> <p>Filtering function</p>	<p>带过滤网</p> <p>with filter screen</p>
<p>线圈与阀体角度</p> <p>Angle between coil and valve body</p>	<p>270° / 180° / 90° / 0°</p>

电源连接方式 Power supply connection way	M3螺丝固定 / 6.3插片 fixed with M3 screw / #6.3 bolt terminal
使用寿命 Life Expectancy	≥ 10 万次 $\geq 100K$ cycles
保证期限 Guarantee Period	正常使用情况下, 本公司的保证期限为12个月 Under the normal use conditions, the quality warranty period for our goods is 12 months

3. Plan view





S/N	name	quantity	material
1	coil cover	1	PP
2	coiled Screw	2	Blue zinc-plating iron
3	upper coil bracket	1	Φ 1.5solid rolling sheet
4	upper separator coil	1	PP
5	Set screw	8	SUS304
6	lower coil bracket	1	Φ 2solid rolling sheet
7	barcket	1	PDM
8	coil spring	1	SUS304
9	moving iron core	1	430F
10	Silicone spacer	1	SR (101G)
11	Torsion Spring	1	SUS304
12	Diaphragmholder	1	PDM
13	Diaphragm	1	EPDM
14	O-rings	2	SR (101G)
15	inlet copper joint	1	cast brass ZHMN68-2-2
16	filter	1	PDM
17	gasket	1	SR (101G)
18	filter cover	1	cast brass ZHMN68-2-2
19	A01 valve body	1	PP
20	oil core panel Check valve	1	SR (101G)
21	locking seal Check valve	1	PDM
22	locking spring Check valve	1	SUS304
23	locking ring Check valve	1	PDM

Model		Solenoid valve	
VERSION		PROJECTION	
KH14FE22E			
SCALE	SIZE	Dimensions are shown mm(inches)	
5:1	A4	2022.05.11	
DESIGNED	Wei Lin		
CHECKED	ZhongJu Peng		
APPROVED	Johan Xu		