

# Module-Center

Tel: 021-6608302

CELL:09107517388

E-Mail: [info@module-center.com](mailto:info@module-center.com)

Wechat09107517388

Website: [www.module-center.com](http://www.module-center.com)

---

## Solenoid water valve

[SOL-00028](#) / [SOL-00029](#)

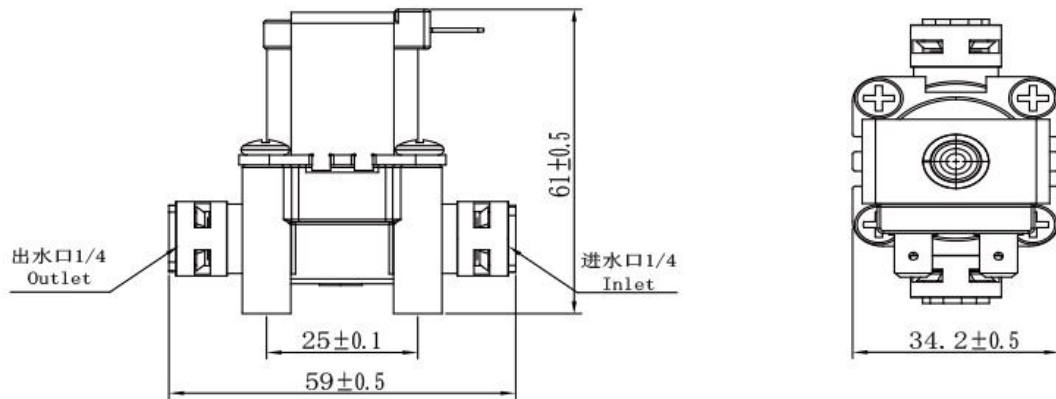


Action way	Pilot type
Type	NC
Working pressure	0.02Mpa-0.8Mpa
Input connection way	G1/4" quick connector
Output connection way	G1/4" quick connector
Applicable medium	water
Valve body material	plastic valve body
Medium temperature	0-80°C
Environment temperature	0-50°C
Electrical rating	AC220V,0.02A/ DC6V,0.6A/ DC9V,0.4A/ DC12V,0.3A/ DC24V,0.15A

Electrical rating	AC220V,0.02A/ DC6V,0.6A/ DC9V,0.4A/ DC12V,0.3A/ DC24V,0.15A
Variable voltage of supply voltage	-10%~+10%
Insulation resistance	Tested by DC500V megohmmete for 1 min, the insulation resistance should $\geq 100M\Omega$
Watertigh performance	Hydrostatic pressure 0.02Mpa, leakage ratio < 0.1mL/min, Hydrostatic pressure 0.03-0.8Mpa, leakage ratio 0 mL/min
Hydraulic pressure withstand	withstand hydrostatic pressure of 1. 2 Mpa for 5min, no unbroken, deformation or outside leakage
Reliability	0.02-0.8Mpa, make and break for 10s respectively, lasting 1hr, the check valve should be unblocked
Flow characteristic	Pressure 0.3pa, Flux 5L/min.

Across layers insulation	Withstand high ovltage pulse for 2s, it should be normal
Continuously energized	Energize for 12hrs, but not connect through the water, the valve should be no deformation, and the coil should not be burned
Withstand voltage	The acceptable high-voltage power between electric conduction and outer without electrified metal withstand AC1500V 50HZ for 1min, no flashover or breakdown.
	withstand AC1800V, 50HZ for 1s, no flashover or breakdown
Non-return function	No
Filtering function	with filter screen
Angle between coil and valve body	270° / 180° / 90° / 0°

### 3. Plan view



SN	name	quantity	material
1	upper coil bracket	1	61.5006 rolling sheet
2	copper ferr	2	Copperplating copper
3	plastic-capsulated coil	1	PP
4	Set screw	1	color zinc-plating iron
5	lower coil bracket	4	8206 rolling sheet
6	bonnet	1	POM
7	coil spring	1	SUS304
8	moving iron core	1	430F
9	Silicone spacer	1	SR (101G)
10	Torsion spring	1	SUS304
11	Diaphragmholder	1	POM
12	Diaphragm	1	EPDM
13	V01 valve body	1	PP
14	filter	1	SUS304

Model		Solenoid valve	
VERSION		PROJECTION	
KH14FE22E			
SCALE	SIZE		
5:1	A4	Dimensions are shown in (mm) 2022.05.11	

DESIGNED	Wei Lin
CHECKED	ZhongJu Peng
APPROVED	Johan Xu

Activate Windows  
Go to Settings to activate Windows